

0003A02x



CARATTERISTICHE

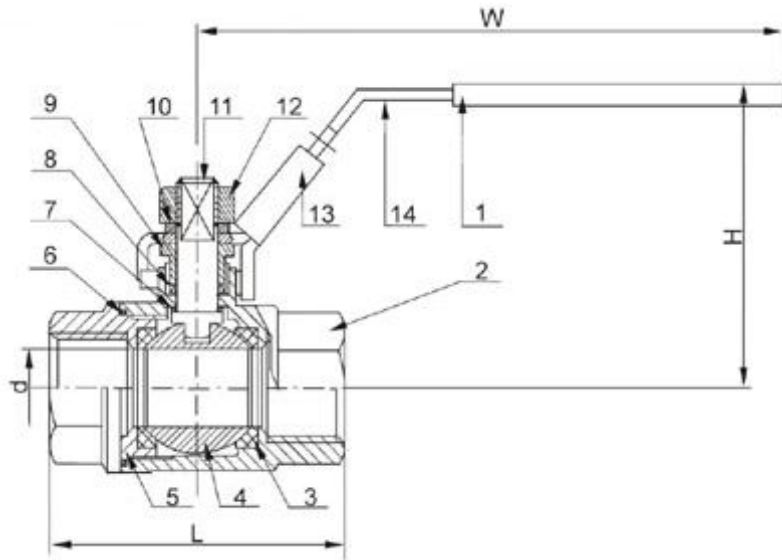
- Valvola a sfera 2 pezzi
- Materiale : AISI 316
- Passaggio totale
- PN : 69 bar
- Attacchi filettati GAS F/F – M/F – M/M
- Guarnizioni PTFE / Joints PTFE

FEATURES

- 2 PC ball valve
- Material : CF8M
- Full flow
- Working pressure : 1000 PSI
- Thread type : GAS F/F – M/F – M/M
- Joints : PTFE and reinforced PTFE (ball seats)

SIZE	ø d	L	W	H
1/4"	9.2	54	110	54
3/8"	12.8	54	110	55
1/2"	15	57	115	58
3/4"	20	68	115	61
1"	25	80	128	77
1"1/4	32	91	128	81
1"1/2	38	103	155	90
2"	50	124	155	108
2"1/2	65	164	310	170
3"	76	193	344	197

	PARTS NAME	MATERIAL
5	Tappo / Cap	CF8M (AISI 316)
3	Sedi sfera / Ball seats	PTFE
6-7-8	Guarnizioni / Joint gasket	PTFE
2	Corpo / Body	CF8M (AISI 316)
4	Sfera / Ball	CF8M (AISI 316)
9	Bussola precarico / Gland nut	AISI 304
11	Stelo / Stem	CF8M (AISI 316)
12	Dado stelo / Stem nut	AISI 304
10	Rondella / Stem washer	AISI 304
14	Maniglia / Handle	AISI 304
1	Plastica maniglia / Plastic sleeve	PLASTIC



0003A03x



0003A07x

